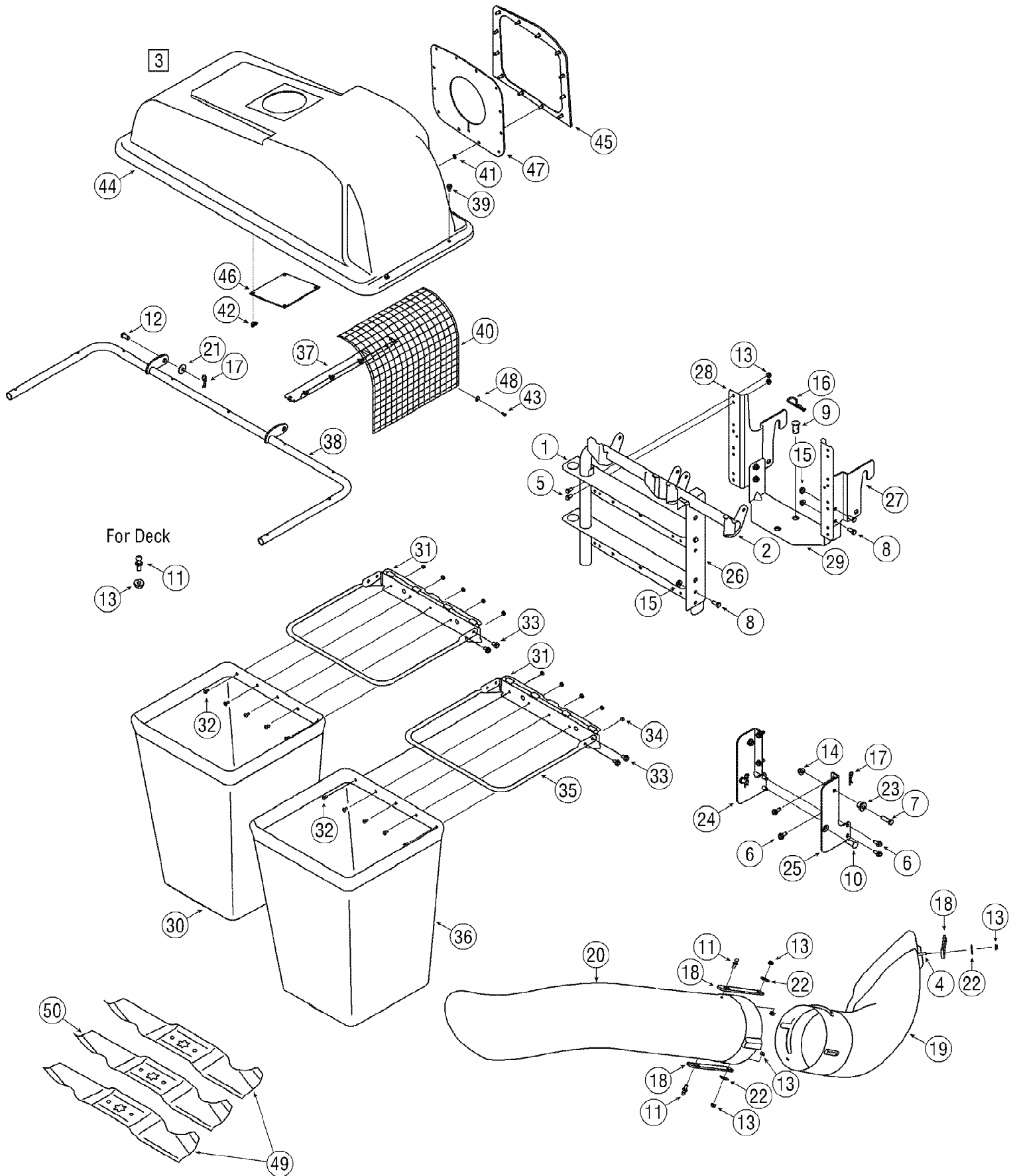


190-180-190 Twin Bagger (2008)
Bagger Assembly



190-180-190 Twin Bagger (2008)
Bagger Assembly

Page 2 of 3

| Ref # | Part Number | Qty | S/P/F | Description |
|-------|-------------|-----|-------|--|
| 1 | 16587D | 1 | S | Support Bracket: Bagger |
| 2 | 16592 | 1 | S | Support Tube Assembly |
| 3 | 664-04017 | 1 | | Grass catcher Cover Assy (includes Ref. 37 - 48) |
| 4 | 710-0597 | 1 | /P | Screw 1/4-20 x 1" |
| 5 | 710-0751 | 1 | /P | Hex Head Screw 1/4-20 x .62 |
| 6 | 710-1260A | 1 | /P | Self-Tap. Screw 5/16-18 x .75 |
| 7 | 710-3005 | 1 | /P | Hex Hd. Screw, 3/8-16 x 1.25 |
| 8 | 710-3008 | 1 | /P | Hex Hd. Screw, 5/16-18 x .75 |
| 9 | 711-0309A | 1 | /P | Clevis Pin, .62 Dia. |
| 10 | 711-0310 | 1 | S | Clevis Pin, .50 x 1.18 |
| 11 | 711-04069 | 1 | S | Grass Catcher Pin 1/4-20 |
| 12 | 711-1421 | 1 | | Clevis Pin, 3/8 x .75 |
| 13 | 712-04064 | 1 | /P | Hex Flange Lock Nut, 1/4-20 |
| 14 | 712-04065 | 1 | /P | Hex Flange Lock Nut, 3/8-16 |
| 15 | 712-3004A | 1 | /P | Hex Flg. Lock Nut, 5/16-18 |
| 16 | 714-0117 | 1 | /P | Hairpin Clip |
| 17 | 714-0145 | 1 | S | Click Pin |
| 18 | 723-04008A | 1 | /P | Chute Strap |
| 19 | 731-04153 | 1 | S | Discharge Chute 38"/42" Deck |
| 19 | N/A | 1 | | Discharge Chute 46" Deck |
| 20 | 731-0899E | 1 | /P | Chute Tube 38"/42" Deck |
| 20 | 731-0926B | 1 | /P | Chute Tube 46" Deck |
| 21 | 736-0331 | 1 | /P | Bell Washer |
| 22 | 736-3092 | 1 | /P | Flat Washer |
| 23 | 738-04058 | 1 | | Shoulder Spacer |
| 24 | 783-04919 | 1 | S | Mounting Bracket, LH |
| 25 | 783-04968 | 1 | S | Mounting Bracket, RH |
| 26 | 783-0601 | 1 | S | Mounting Bracket |
| 27 | 783-0673B | 1 | S | Mounting Bracket RH |
| 28 | 783-0764B | 1 | S | Mounting Bracket LH |
| 29 | 783-0765 | 1 | S | Bracket: Cross Support |
| 30 | 764-0221 | 1 | S | Catcher Bag Assembly |
| 31 | 16591A | 1 | S | Bag Hanger Bracket |
| 32 | 710-0473 | 1 | /P | Machine Screw, , #10-24 x .5 |
| 33 | 710-0604A | 1 | /P | Self-tap. Scr., 5/16-18 x .625 |
| 34 | 712-0272 | 1 | /P | Hex Sems Nut, #10-24 |
| 35 | 749-0701A | 1 | S | Grass Bag Frame |
| 36 | 764-0221 | 1 | S | Grass Catcher Bag |
| 37 | 16595B | 1 | | Screen Mounting Bracket |
| 38 | 16596 | 1 | S | Hinge Assembly |
| 39 | 710-1652 | 1 | /P | Self-Tap. Screw 1/4-20 x .625 |
| 40 | 720-04017 | 1 | | Grass catcher Sceen |
| 41 | 726-0233 | 1 | /P | Push Nut, .25 x .50 |
| 42 | 726-0258 | 1 | | Zip Twist Fastener |
| 43 | 728-0123 | 1 | S | Pop Rivet, 3/16 x .450 |
| 44 | 731-04167 | 1 | | Double Grassbag Cover |
| 45 | 731-04189 | 1 | S | Grassbag Hopper Seal |
| 46 | 731-0824A | 1 | /P | Plastic Plate, 1/8 x 5.6 |
| 47 | 735-04020 | 1 | S | Grassbag Hopper Seal |
| 48 | 736-0400 | 1 | S | Flat Washer, .194 x .62 x .063 |
| 49 | N/A | 1 | | N/A, 46" Deck only |

190-180-190 Twin Bagger (2008)
Bagger Assembly

Page 3 of 3

| Ref # | Part Number | Qty | S/P/F | Description |
|-------|-------------|-----|-------|-------------------|
| 50 | N/A | 1 | | N/A 46" Deck only |
